

Nominal current	PSE 100: 0.2A PSE 200: 1A
No-load current	0.2 A
Positioning resolution	0.5 % of positioning range
Positioning accuracy	2 % of positioning range
Positioning range	PSE 100: max. 20 rotations PSE 200: max. 50 rotations
Shock resistance in accordance with IEC/DIN EN 60068-2-27	50 g 11 ms
Vibration resistance in accordance with IEC/DIN EN 60068-2-6	10..55 Hz 1.5 mm / 55..1 000 Hz 10 g / 10..2 000 Hz 5 g
Output shaft	12 mm solid shaft (with flattening)
Maximum axial force	20 N
Maximum radial force	30 N
Ambient temperature	0..50 °C
Storage temperature	-10..70 °C
Protection class	IP 55
Weight	900 g
Certificates	CE

Product	Nominal torque	Nominal rated speed	A
PSE 100	2.5 Nm	2 rpm	100/1
	5 Nm	1 rpm	100/2
	10 Nm	0.5 rpm	100/3
	10 Nm	0.25 rpm	100/4
PSE 200	1 Nm	30 rpm	200/1
	5 Nm	5 rpm	200/2
	10 Nm	2 rpm	200/3
	10 Nm	1 rpm	200/4
	10 Nm	0.5 rpm	200/5
	10 Nm	0.25 rpm	200/6

Default analog target value	B
0..10 VDC ($R_L > 2 \text{ k}\Omega$)	A
0..20 mA ($R_L < 500 \Omega$)	B
4..20 mA ($R_L < 500 \Omega$)	C

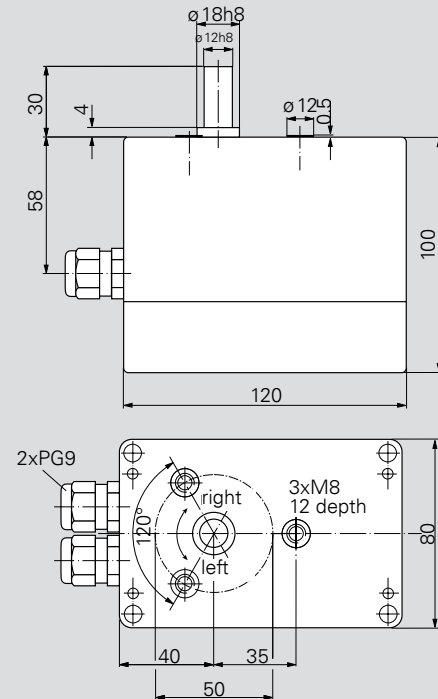
Supply voltage	C
PSE 200	24 VDC (+20/-15 %)
PSE 100	24 VAC (+6/-15 % 50 Hz)
	115 VAC (+6/-15 % 50 Hz)
	230 VAC (+6/-15 % 50 Hz)

positioning range	D
0..360°	— °
max. 50 (PSE 200)/20 rotations (PSE 100)	— U

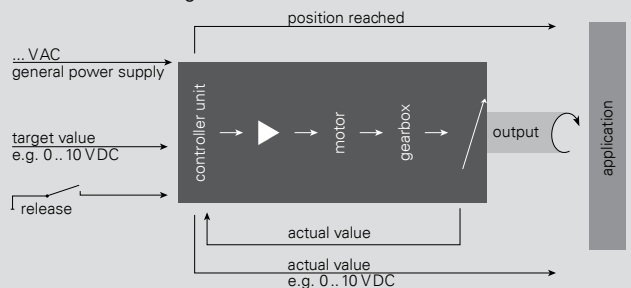
Output signal actual value	E
0..10 V	A
0..20 mA	B
4..20 mA	C

Rotational direction	F
left	li
right	re

Order code	A	B	C	D	E	F
PSE	-	-	-	-	-	-



Functional block diagram PSE 100



Functional block diagram PSE 200

