

Start-up duration	30 % (basis time 300 s)
Mode of operation	S3
Supply voltage	24 VDC ± 15 %
Nominal current	4.8 A
Positioning accuracy	± 1°
Positioning range	32000 rotations not subject to mechanical limits
Shock resistance in accordance with IEC/DIN EN 60068-2-27	10 g 30 ms
Vibration resistance in accordance with IEC/DIN EN 60068-2-6	10 .. 150 Hz 10 g
Insulation class	B (120°)
Maximum axial force	axial shaft: 150 N radial shaft: 165 N
Maximum radial force	axial shaft: 200 N radial shaft: 440 N
Ambient temperature	max. 45°C
Storage temperature	-25 .. 75°C
Protection class	IP 65
Weight	axial 2.8 kg/radial 3.2 kg
Certificates	CE

Product	Nominal torque	Self-holding torque	Nominal rated speed
HDA 70	15 Nm	25 Nm	27 rpm

Data interfaces	A
PROFIBUS DP	DP
EtherCAT	EC
PROFINET	PN
EtherNet/IP	EI
RS 485 ¹⁾	I

¹⁾ for control via HUB

Shaft position	B
axial, without bevel gear	L
radial, with bevel gear i = 1, position type 1	1
radial, with bevel gear i = 1, position type 2	2
radial, with bevel gear i = 1, position type 3	3
radial, with bevel gear i = 1, position type 4	4

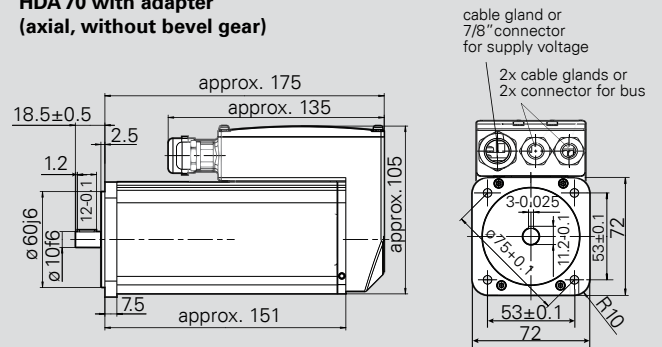
Connections	C
Cable gland (for DP)	B
Connector, 6-pin (RS 485 without Hub)	E
Connector, 6-pin (RS 485 with Hub)	H
Cable gland for 24 VDC, 2 x M12 female connector for IE-bus in/out	S
Male connector (7/8") for 24 VDC, 2 x M12 female connector for IE-bus in/out	T

Output shaft design	D
10 mm solid shaft with feather key (radial/axial)	S
10 mm hollow shaft (only radial, with bevel gear)	H10
12 mm hollow shaft (only radial, with bevel gear)	H12

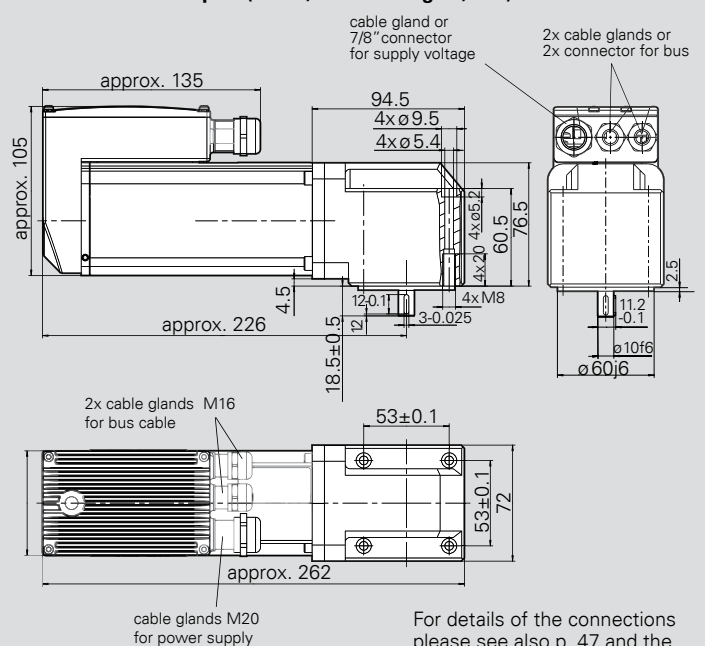
Order code	A	B	C	D
HDA 70				



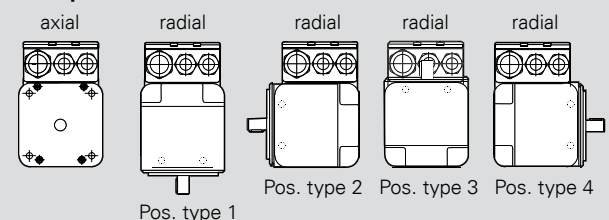
**HDA 70 with adapter
(axial, without bevel gear)**



HDA 70 with adapter (radial, with bevel gear, i = 1)



Shaft position



For details of the connections please see also p. 47 and the instruction manual.

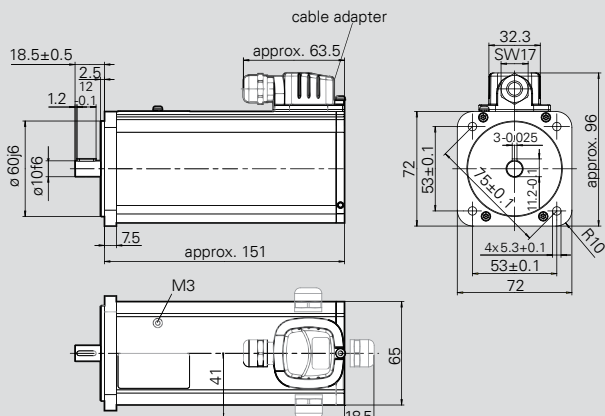
HIPERDRIVE HDA 70

for wiring via HUB

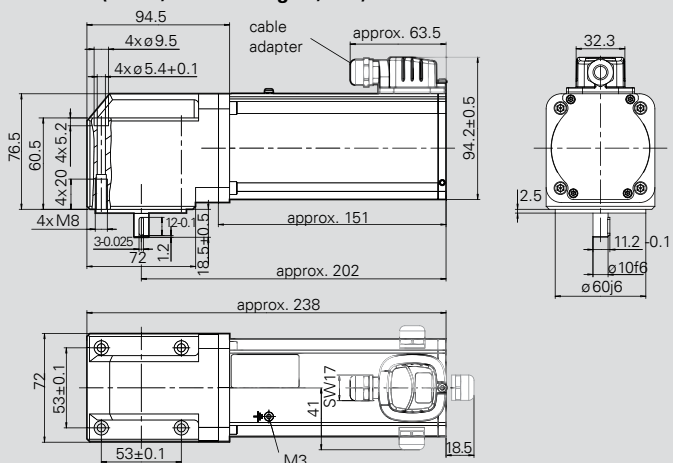


Supply voltage	24 VDC ± 15 %
Power consumption (control unit)	300 mA
Shock resistance in accordance with IEC/DIN EN 60068-2-27	8g 20 ms
Vibration resistance in accordance with IEC/DIN EN 60068-2-6	10..500 Hz 10 mm
Certificates	CE
Motor connection cables, operating voltage for data X-D1..8	6 x adjustable collar max. cross-section of conductor 1.5 mm ²
Operating voltage connection, motors X-A+, X-A-, equipotential bonding	cable lug M6
Bus terminating resistor	via external terminal resistance
Bus connection	M12, 5-pin Type B (PROFIBUS DP) 2x M12, 5-pin Type D (Ethernet-based buses) 2x
Address range adjustable via switches	0..125 (0..99 for Ethernet-based buses)
Housing	die-cast zinc
Ambient temperature	0..45 °C
Storage temperature	-25..75 °C
Protection class with IEC 60529	IP65
Weight	4.5 kg

HDA 70 (axial, without bevel gear)

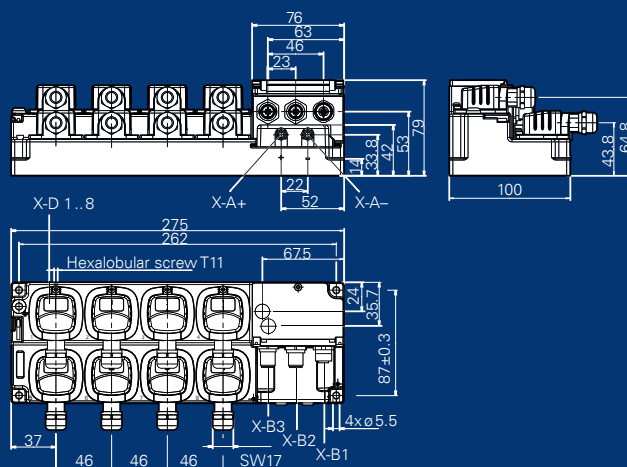
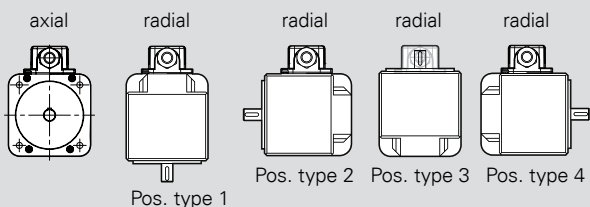


HDA 70 (radial, with bevel gear, i = 1)



For details of the connections please see also p. 47 and the instruction manual.

Shaft position



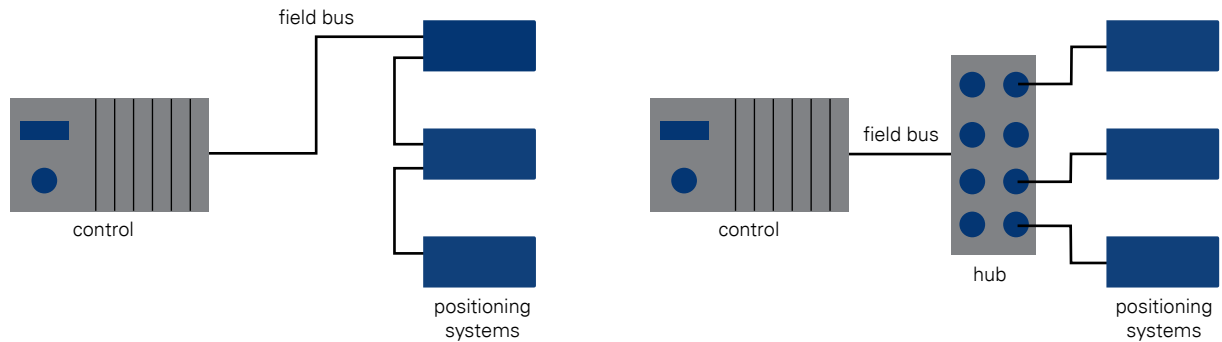
Data interfaces ¹⁾	A
PROFIBUS DP	DP
EtherCAT	EC
PROFINET	PN
EtherNet/IP	EI

¹⁾ via RS 485 between HUB and HDA/PSE 441

Order code	A
Hub	-

HIPERDRIVE POSITIONING SYSTEMS

The HIPERDRIVE series facilitates both direct wiring and indirect wiring via a Hub (see p. 8 +9)



A direct wiring (adapter) → see p. 40

B indirect wiring via Hub → see p. 41

ACCESSORIES FOR HIPERDRIVE HDA 70 AND PSE 441

HDA 70 with bus communication (Industrial Ethernet ¹⁾ and PROFIBUS DP)				
A	Bus cable for Industrial Ethernet with an M12 connector (D-cod.) 10 m: Order no. 9508.0045 20 m: Order no. 9508.0046		Power supply cable with a 7/8" connector socket 10 m: Order no. 9508.0043 20 m: Order no. 9508.0044	
	Connector set for EtherCAT, PROFINET, EtherNet/IP: 7/8" power supply connector + 2 x databus connector Order no. 9508.0050			
	Bus cable for PROFIBUS DP with an M12 connector socket (B-cod.) 10 m: Order no. 9508.0011 25 m: Order no. 9508.0017		Connector for PROFIBUS DP M12 connector socket (B-cod.) Order no. 9508.0027	
	Connector set for PROFIBUS DP: 7/8" power supply connector + databus connector and socket Order no. 9508.0034		Connector for PROFIBUS DP M12 connector (B-cod.) Order no. 9508.0012 with terminating resistors: Order no. 9508.0013	
HDA 70 with RS 485 (for indirect cabling via Hub)				
B	Simple flange adapter with cable: 1 m: Order no. 9508.0038 2 m: Order no. 9508.0033 5 m: Order no. 9508.0019 10 m: Order no. 9508.0010 15 m: Order no. 9508.0008		Connecting cable (with crimp contacts at one end) without adapter 2.5 m: Order no. 9508.0030	
			Adapter without cable Order no. 9508.0009	
PSE 441 with RS 485				
	Power supply and bus cable with an M12 connector socket (A-cod.) 10 m: Order no. 9508.0022 15 m: Order no. 9508.0035		Connector M12 connector socket (A-cod.) for PSE 441 master Order no. 9601.0144	
			Connector M12 connector (A-cod.) for PSE 441 slave drive Order no. 9601.0152	

¹⁾ EtherCAT, PROFINET, EtherNet/IP